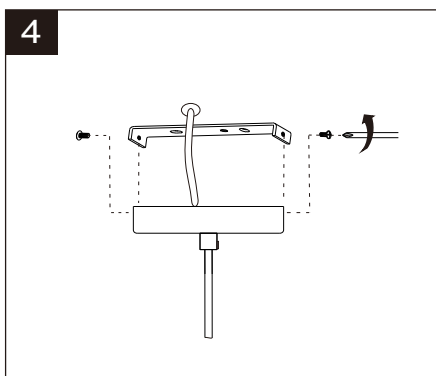
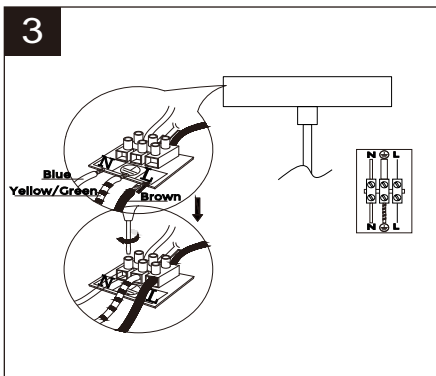
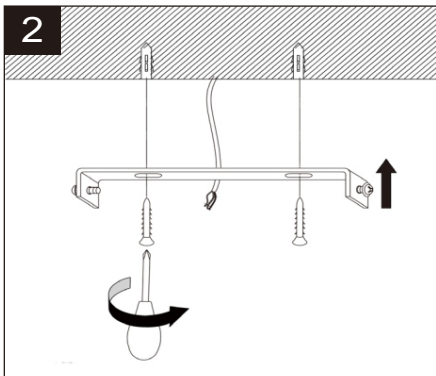
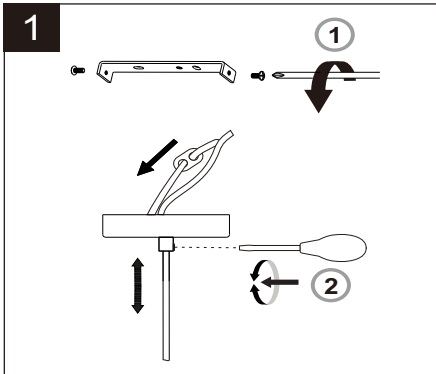


# Bloxham Rectangular Pendant Light

**BX-RCP8-N-BH**

Before installation, changing the bulb or cleaning, always ensure there is no power supply to the light by disconnecting the electrical supply at the fuse board. The fixture must be installed by a qualified electrician, in accordance with your local building and wiring regulations. If you believe there is a defect, do not use and report the issue with images to our customer support at: [support@industville.co.uk](mailto:support@industville.co.uk)



**5**

