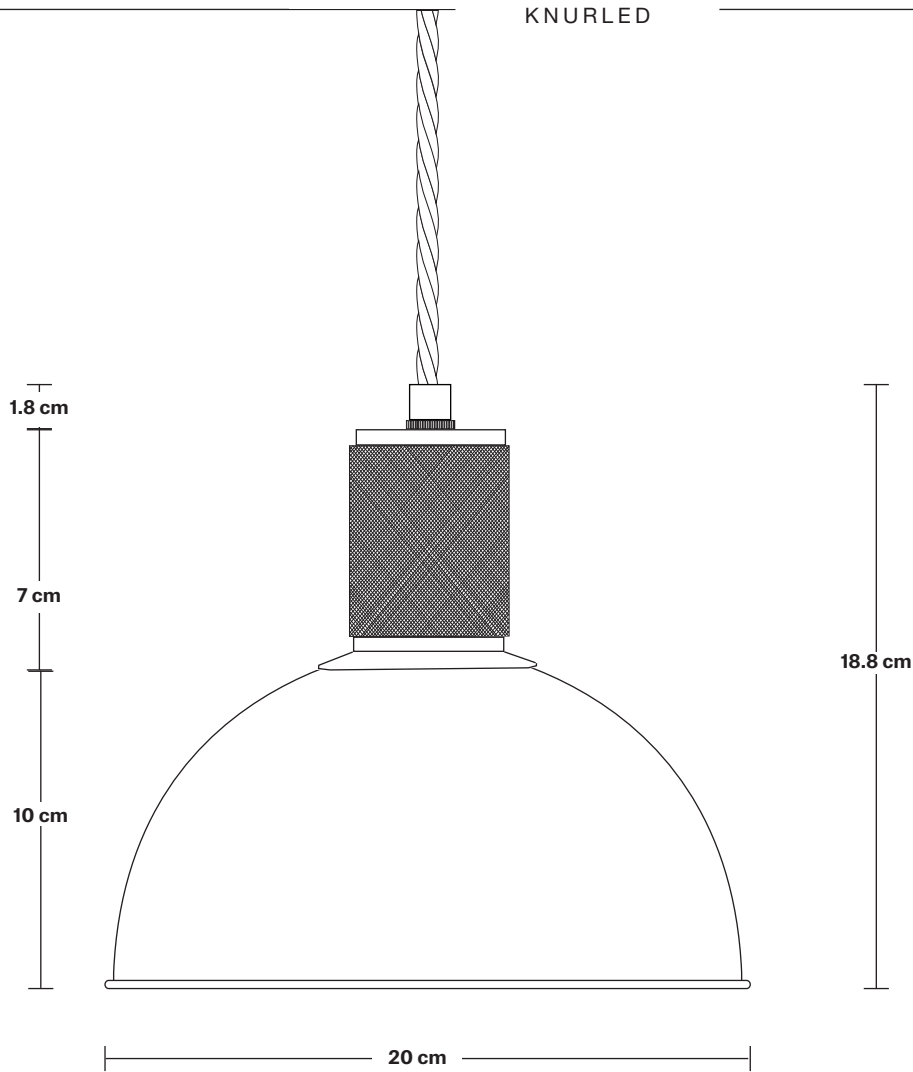


KNURLED



Knurled Dome Pendant Light - 8 Inch

SPECIFICATIONS

We meet all UK and EU lighting and safety regulations.

Our products are hand finished to ensure an authentic vintage look and therefore they may vary slightly from those shown in the images.

Bulb Required: Standard screw (E27) fitting, max 40W.

WEIGHT: 0.7 kg

INFORMATION

PRODUCT CODE: KN-DP8

FINISHES: Brass, Pewter, Copper, Pewter & Copper, Pewter & Brass, Black.

HOLDER FINISHES: Brass, Bronze, Black.

FLEX: 1m Black Twisted Fabric Flex.

Ready to be installed, installation required.

Wall mount screws not included.

DIMENSIONS

H: 118.3 cm x W: 20 cm x D: 20 cm

SHADE DIAMETER: 20 cm / 8"

SHADE HEIGHT: 10 cm / 4"

HOLDER DIAMETER: 6.3 cm / 2.5"

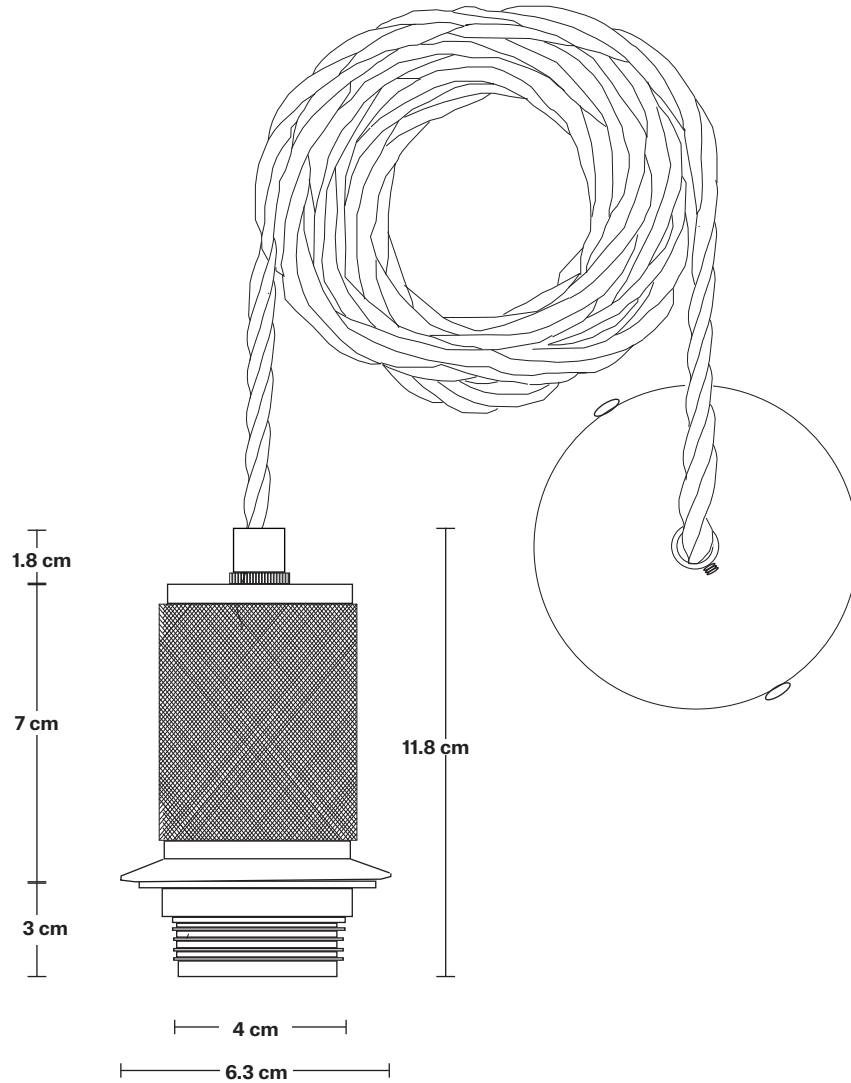
HOLDER HEIGHT: 11.1 cm / 4.4"

ROSE DIAMETER: 8.5 cm / 3.3"

ROSE HEIGHT: 2 cm / 0.8"

INDUSTVILLE

KNURLED



Knurled Edison Cord Set ES E27 Bulb Holder - Ring & Fabric Flex

SPECIFICATIONS

We meet all UK and EU lighting and safety regulations.

Our products are hand finished to ensure an authentic vintage look and therefore they may vary slightly from those shown in the images.

Bulb Required: Standard screw (E27) fitting, max 40W.

WEIGHT: 0.3 kg

INFORMATION

PRODUCT CODE: KN-ECS

FINISHES: Brass, Bronze, Black.

ROSE FINISHES: Brass, Bronze, Black.

FLEX: 1m Black Twisted Fabric Flex.

Ready to be installed, installation required.

Wall mount screws not included.

DIMENSIONS

H: 11.1 cm x W: 6.3 cm x D: 6.3 cm

HOLDER DIAMETER: 6.3 cm / 2.5"

HOLDER HEIGHT: 11.1 cm / 4.4"

ROSE DIAMETER: 8.5 cm / 3.3"

ROSE HEIGHT: 2 cm / 0.8"

INDUSTVILLE